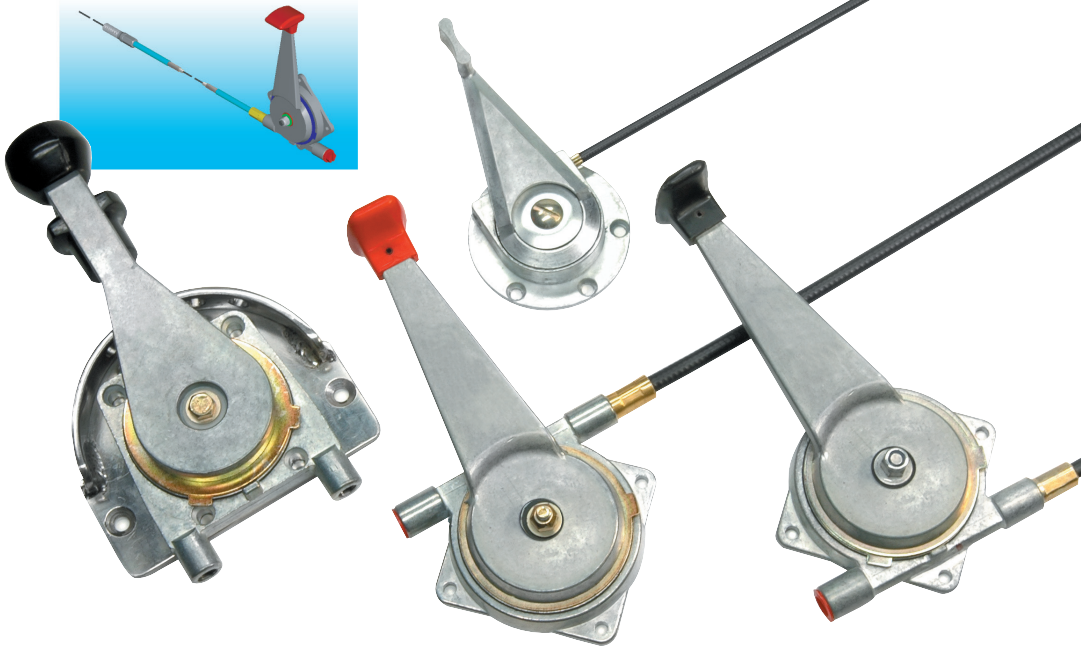


Unidrum Lever

Push-Pull and Pull-Only Hand Control



Hand Control Industrial

A control head designed primarily for hand throttle applications on commercial and industrial vehicles, and also suitable for many other uses. Compact and efficient for imparting light-to-medium pull-only or push-pull loads through flexible conduits and inner-members. Unidrum controls hold and operate up to 26lb push-pull or pull-only output loads. Mechanical advantage at knob is 5 to 1. There is a self locking nut for operator adjustment of friction setting. The adjustable stop plates allow 10° (3/16" linear output) incremental travel adjustment. Two inches of cable travel requires approximately 90° lever travel. Three inches of cable requires approximately 135° lever travel. The lever position is adjustable in 60° increments to provide optimum operating range. Optional cable entry offers four mountings/directions of operation alternatives. Also available with a smaller handle for light duty applications or with a locking handle.



Description:

Unidrum Lever
Industrial Push-Pull
and Pull-Only Hand Control

Applications:

- Medium to light duty throttle compactors
- Valve dump control jackhammers
- Hydraulic valve control concrete cutters
- Backhoe throttle

Features:

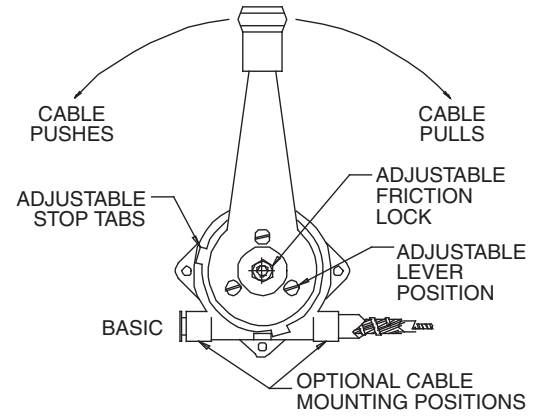
- Adjustable friction lock
- 5 to 1 mechanical advantage
- Adjustable mechanical stops

Other Related Products:

- All other hand levers

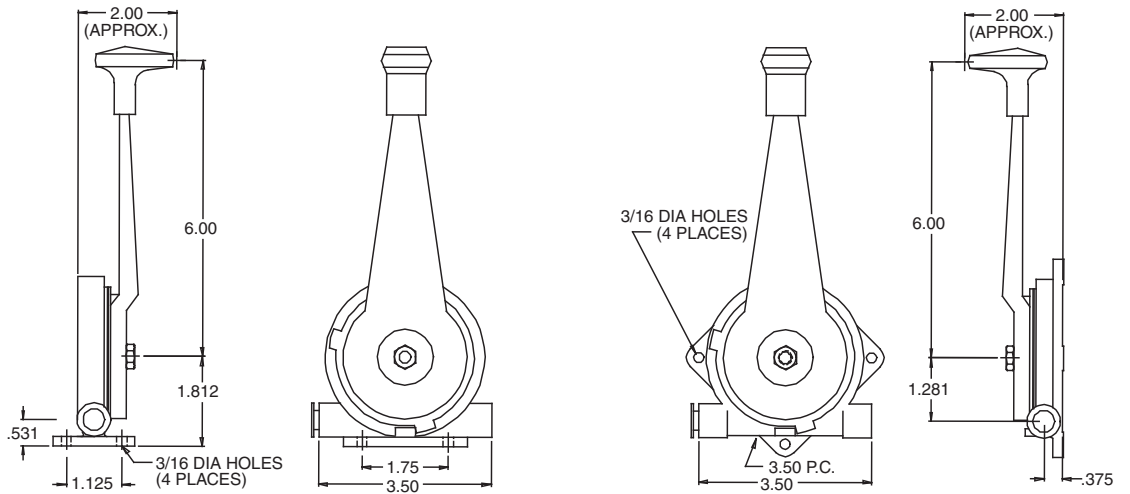
Unidrum Lever

- Hold and operate up to 25lb push-pull or pull-only output load. Mechanical advantage at knob is 5/1.
- Self-locking nut for operator adjustment of friction setting.
- Adjustable stop plates allow 10° incremental travel adjustment.
- Lever position is adjustable in 60° increments.
- Four optional cable entry alternatives.
- Rugged diecast zinc alloy material.
- Mount with (4) 3/16" screws or bolts.



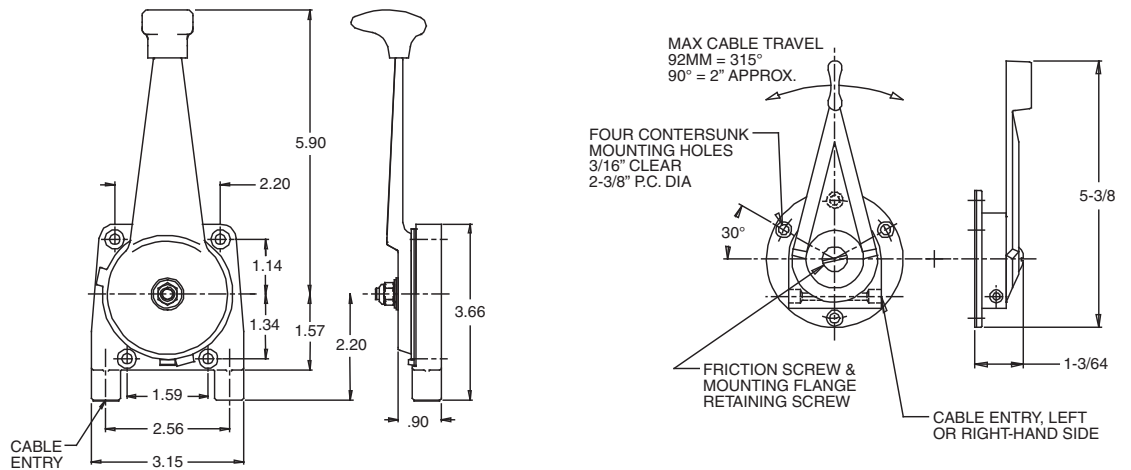
CH205/206

CH240

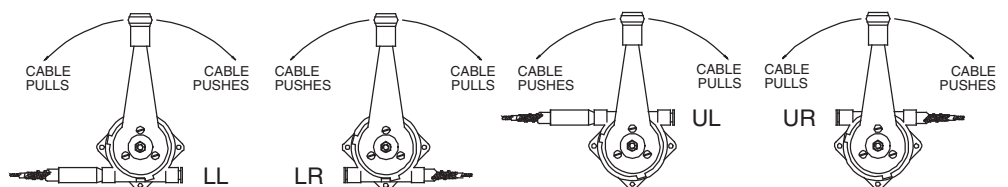


CH260

CH220 (Miniature)



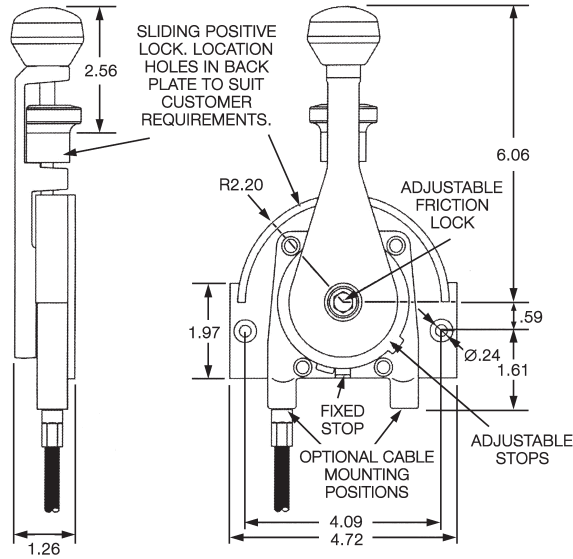
Cable Exit Positions



All line art dimensions are represented in inches

CH290 (Unidrum Operator Positive Lock)

- Hold and operate up to 26lb push-pull or pull-only output load. Mechanical advantage at knob is 5/1.
- Self-locking nut for operator adjustment of friction setting.
- Adjustable stop plates allow 10° (.2 linear output) incremental travel adjustment. 2" of cable travel requires approximately 90° lever travel.
- Optional cable entry.
- Rugged diecast zinc alloy material.

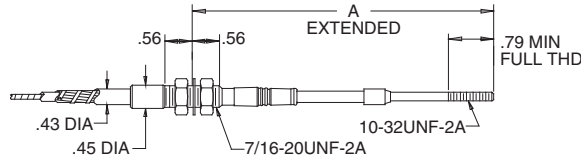


Output End Configurations

VLD Utility

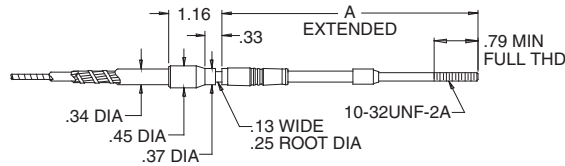
1 Threaded Swivel

Dimension A Per Stroke (extended)
 2" 6.94"
 3" 8.94"



2 Grooved Swivel

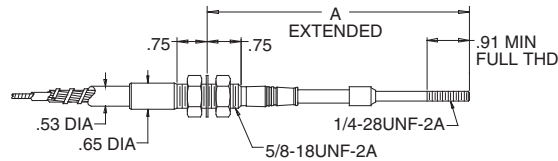
Dimension A Per Stroke (extended)
 2" 6.25"
 3" 8.25"



LD Utility

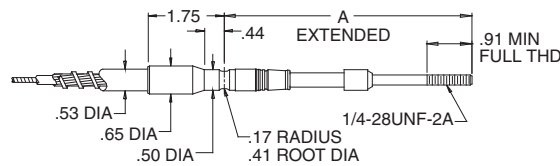
3 Threaded Swivel

Dimension A Per Stroke (extended)
 2" 7.18"
 3" 9.18"

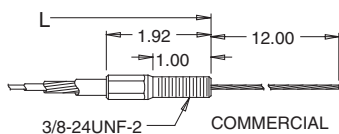


4 Grooved Swivel

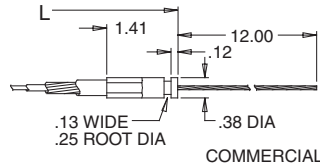
Dimension A Per Stroke (extended)
 2" 6.56"
 3" 8.56"



VLD Bristow®



5 Threaded Cap



6 Grooved Cap

Output End Configurations Codes

- 1 Threaded Swivel
- 2 Grooved Swivel
- 3 Threaded Swivel
- 4 Grooved Swivel
- 5 Threaded Cap
- 6 Grooved Cap

Unidrum Lever Order Code

Material

- Zinc Based Die-Cast Body, Drum and Lever
- Internal Long Life Nylon Bearings
- Optional Black Powder Coat Paint Finish

Cablecraft® Ordering Codes

Basic Unidrum Lever _____

Knob Color _____

- 1 Black 165-505-101
- 2 Red 165-505-102

Cable Exit Position (see illustration) _____

- 1 Lower Mount, Left Exit
- 2 Lower Mount, Right Exit
- 3 Upper Mount, Left Exit
- 4 Upper Mount, Right Exit

Output End Configuration, Cable Size & Type _____

	Style	Size	Type
1	Threaded Swivel	VLD	Utility
2	Grooved Swivel	VLD	Utility
3	Threaded Swivel	LD	Utility
4	Grooved Swivel	LD	Utility
5	Threaded Cap	VLD	Bristow®
6	Grooved Cap	VLD	Bristow®

Travel (inches) _____

	Cable	Lever
2	2"	approx. 90°
3	3"	approx. 135°

Overall Length (inches) _____

UDL - 1 - 4 - 4 - 2 - 120

Linking Motion
& Control...
The Cablecraft
Solution



Replacement Cables

Part Number	Duty	Cap	Travel
A17X-330	LD	T	2"
A17X-331	LD	T	3"
A17X-332	LD	G	2"
A17X-333	LD	G	3"
A17X-530	VLD	T	2"
A17X-531	VLD	T	3"
A17X-532	VLD	G	2"
A17X-533	VLD	G	3"

WARNING!

Since the manufacturer is unable to determine all applications in which a part may be placed, it is the user's responsibility to determine the suitability of the part for its intended use. This is especially true where safety is a factor. Incorrect application or installation may result in property damage, bodily injury, or death. For technical assistance, call 260-749-5105.

Cablecraft®
Cablecraft Motion Controls

2110 Summit Street
New Haven, Indiana USA 46774
Tel 260 749-5105 Fax 260 749-5677

4401 South Orchard Street
Tacoma, Washington 98411 USA
Tel 253 475-1080 Fax 253 474-1623

Diplocks Way-South Road
Hailsham, East Sussex BN27 3JF, England
Tel 44 1323 841510 Fax 44 1323 845848

www.cablecraft.com